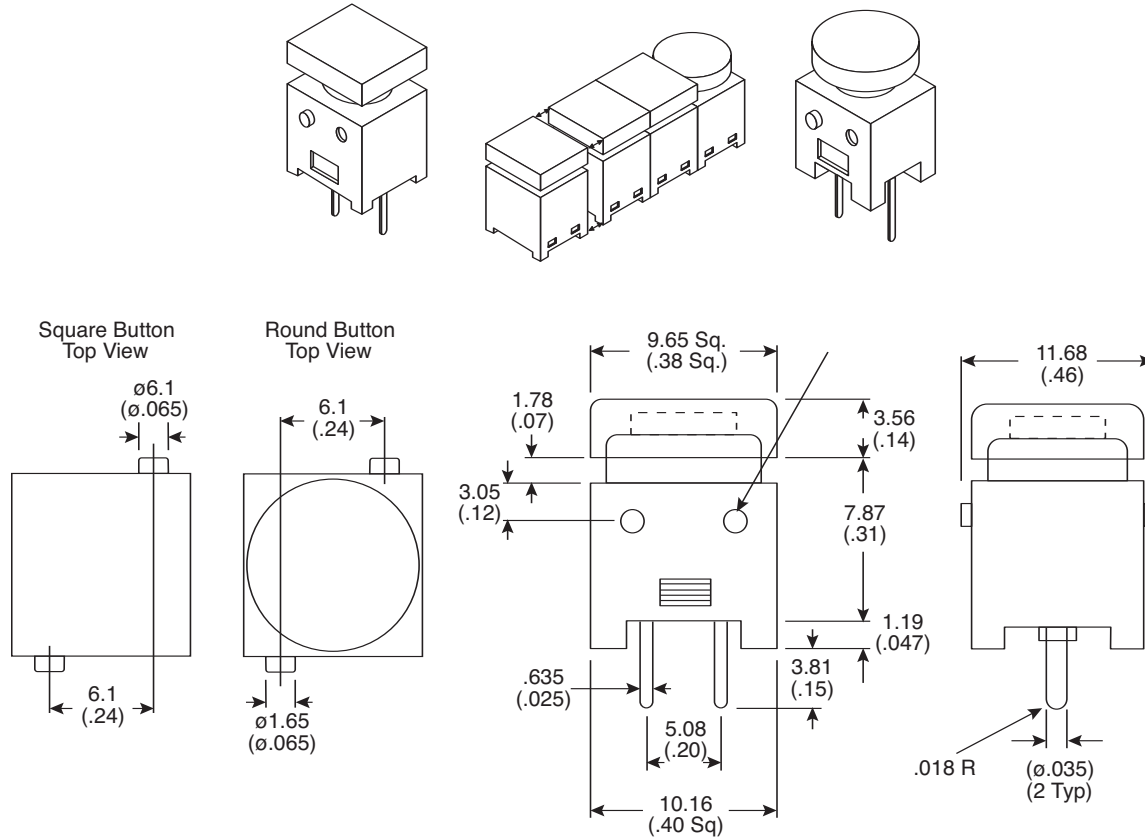


Dimensions: mm (In.)



Electrical Specifications:

- Rating: 1A/125VAC
- Insulation resistance: 100MΩ (min.) @ 500VDC
- Dielectric strength: 1000VAC for 1 minute
- Contact resistance: 20mΩ (max.)
- Reliability: 30,000 operations electrical

Mechanical Specifications:

- Reliability: 50,000 operations mechanical
- Operating & storage temperature: -10°C to +55°C

Round

Mouser Stock No.	Button Color	Circuit
Tactile Touch Type		
10KB011	Red	Off-(On)
10KB012	Black	Off-(On)
10KB015	White	Off-(On)
Non-Tactile Touch Type		
10KB021	Red	Off-(On)
10KB022	Black	Off-(On)
10KB025	White	Off-(On)

Square

Mouser Stock No.	Button Color	Circuit
Tactile Touch Type		
10KB031	Red	Off-(On)
10KB032	Black	Off-(On)
10KB035	White	Off-(On)
Non-Tactile Touch Type		
10KB041	Red	Off-(On)
10KB042	Black	Off-(On)
10KB045	White	Off-(On)

Pushbutton Switches
10KB Series

